

ABIFlexx Delta robot with Direct Drive

OFFERS THE FOLLOWING ADVANTAGES:

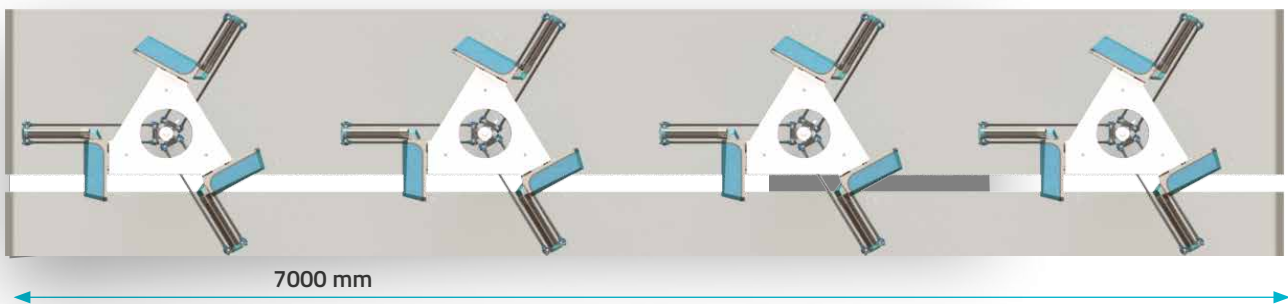
- Designed to meet FDA and EHEDG specifications for Hygienic Design
- No homing necessary with absolute encoders
- Very accurate – Zero backlash
- Extremely fast – No limitations in speed and accelerations by gearboxes
- Maintenance free – No mechanical wear – No lubrication
- Low operating noise
- Energy efficient
- Protection IP67



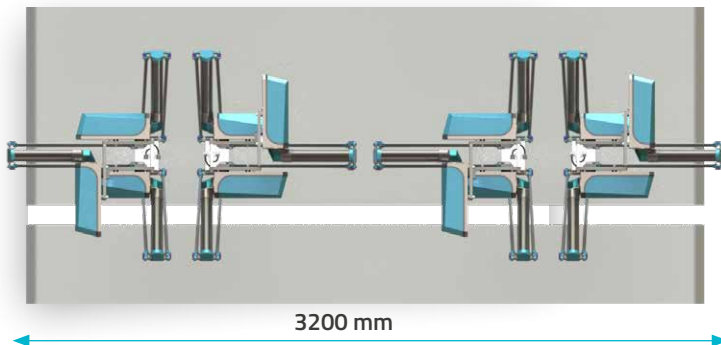
Patented ABiflexx Wide Delta

50% REDUCED FOOTPRINT!

Top view of 4 ABiflexx Delta D4-1600



Top view of 4 ABiflexx Wide Delta WD4-1580



Features & Options

- Optional 4th gripper rotation axis
- 4/5th gripper rotation/tilting axis
- WDx with oval working range 1.000 x 700 mm
> 1.580 x 1.100 mm
Vertical stroke 300 > 500 - 600 mm
- Up to 230 pick/min.
- Up to 12 Kg payload (typical 3 Kg)
- IP 67 protection

More information?

Our specialists will be happy to help you.
Visit abi.nl/en for more contact information.