

Ezi-STEP[®]

Micro Stepping System

Brake Integrated Step Motor

- Non-excitation Electromagnetic Brake
- Automatic Braking during Power Cutoff
- High Friction Torque
- Short Braking Time
- Long Life & Durable

BK





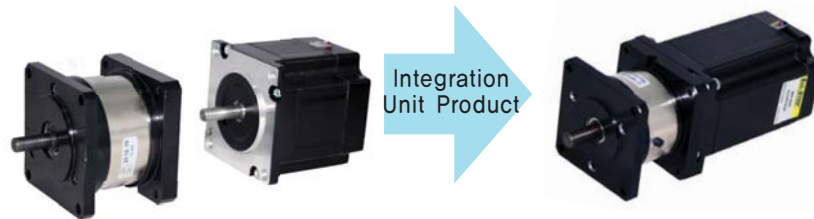
FASTECH

Ezi-STEP[®] BK

Micro Stepping System

1 Ezi-STEP BK Series Specification

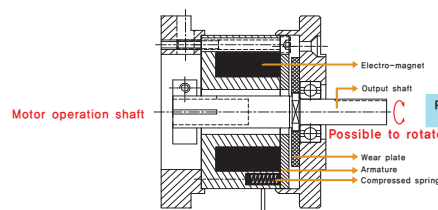
Ezi-STEP BK Series, Fastech's new unit product, maximizes User's operational convenience with integration between Ezi-STEP Series of stepping motor and non-excitation electromagnetic brake that has big friction of brake torque and rapid brake timing



2 Ezi-STEP BK Series Advantages

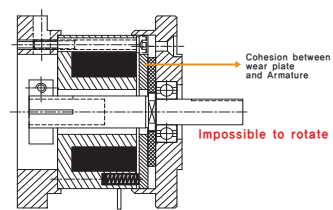
- Apply non-excitation electromagnetic brake**
 Different from excitation type of brake that only generates braking-power by electromagnetic-power when power supplies at brake and loses brake-power when power cutoff, Ezi-STEP-BK Series adopts non-excitation electromagnetic brake that immediately generate friction of brake torque by inner spring's binding post-tensioning force once power cutoff. So Ezi-STEP BK Series enables complete stopping of stepping motor and can forestall risks with brake's mechanical braking-power under emergency situation as like sudden blackout in machine operation.
- Automatic Braking during power cutoff or blackout**
 Ezi-STEP BK Series, Unit product, integrated between high performance of non-excitation electromagnetic brake and step motor that enables immediate braking to keep holding point and prevent falling under power cutoff or blackout during operation so user can be flexible in responding to sudden situation.
- Rapid Brake Timing**
 Ezi-STEP BK Series, non-excitation electromagnetic brake, enables rapid braking because loaded spring closed brake can quicken rising of brake torque.

Turn on electric current



(Output shaft can be rotated because wear plate can be separate from Armature by electromagnetic force)

Power cutoff or blackout



(Output shaft can be rotated because wear plate can be separate from Armature by electromagnetic force)

Long Durability

Brake integrated into Ezi-STEP-BK Series applies long durability of brake wear plate (Brake Lining) so it guarantees high durability and long life cycle.

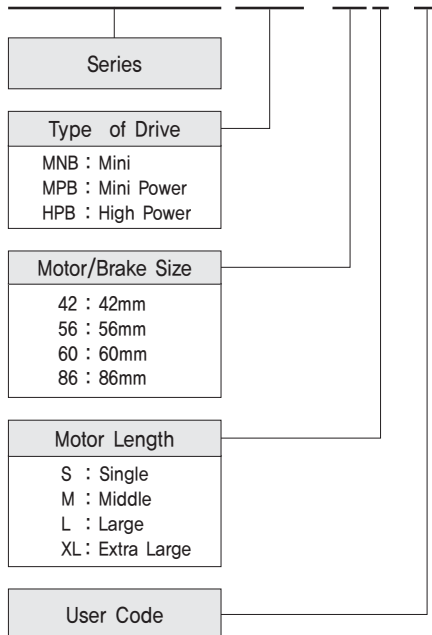
● Ezi-STEP BK Series Line-up

Series	Composition	Motor/Brake Size			
		42mm	56mm	60mm	86mm
Ezi-STEP ST Series	Ezi-STEP Motor + Electromagnetic Brake + Ezi-STEP ST Driver				
Ezi-STEP PR Series	Ezi-STEP Motor + Electromagnetic Brake + Ezi-STEP PR Controller/Driver				
Ezi-STEP BT Series	Ezi-STEP Motor + Electromagnetic Brake + Ezi-STEP BT Driver			-	
Ezi-STEP ALL Series	Ezi-STEP Motor + Electromagnetic Brake + Ezi-STEP ALL Controller/Driver				-

● Ezi-STEP BK Series Part Number

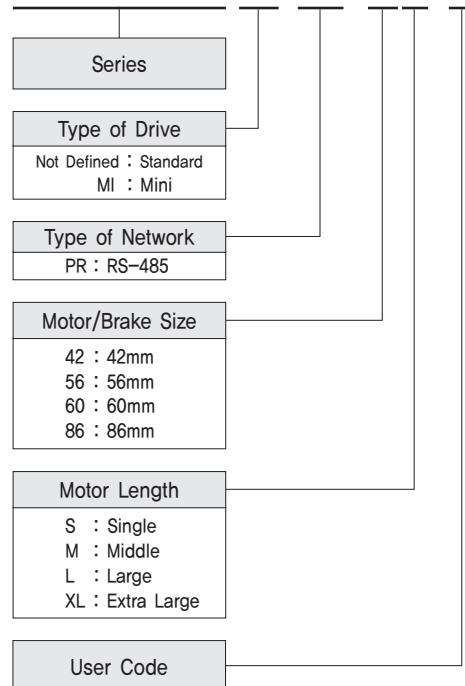
◆ Ezi-STEP ST Series

Ezi-STEP BK MNB-42S-□



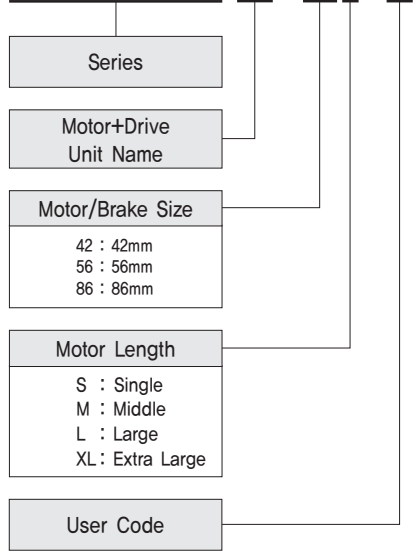
◆ Ezi-STEP Plus-R Series

Ezi-STEP BK MI-PR-42S-□



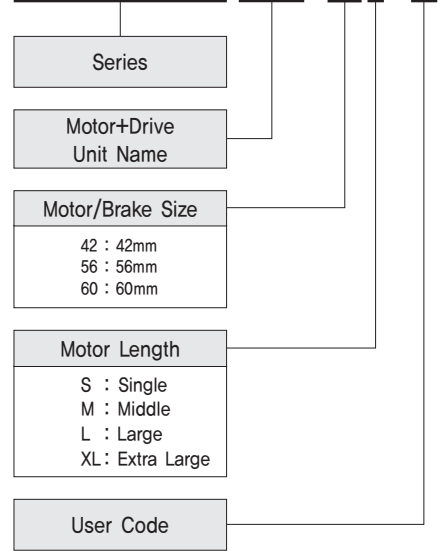
◆ Ezi-STEP BT Series

Ezi-STEP BK BT-56S-□



◆ Ezi-STEP ALL Series

Ezi-STEP BK ALL-60S-□



● Type of Ezi-STEP BK Series

Please see all type of Ezi-STEP-BK Series already released as follows.

	Part Number	Combination Drive	Brake Size	
Ezi-STEP ST	Ezi-STEP BK MNB-42S	EzStep-MNB-42S	42mm	
	Ezi-STEP BK MNB-42M	EzStep-MNB-42M		
	Ezi-STEP BK MNB-42L	EzStep-MNB-42L		
	Ezi-STEP BK MNB-42XL	EzStep-MNB-42XL		
	Ezi-STEP BK MPB-42S	EzStep-MPB-42S		
	Ezi-STEP BK MPB-42M	EzStep-MPB-42M		
	Ezi-STEP BK MPB-42L	EzStep-MPB-42L	56mm	
	Ezi-STEP BK MPB-42XL	EzStep-MPB-42XL		
	Ezi-STEP BK MPB-56S	EzStep-MPB-56S		
	Ezi-STEP BK MPB-56M	EzStep-MPB-56M		
	Ezi-STEP BK MPB-56L	EzStep-MPB-56L		
	Ezi-STEP BK MPB-60S	EzStep-MPB-60S		60mm
Ezi-STEP BK MPB-60M	EzStep-MPB-60M			
Ezi-STEP BK MPB-60L	EzStep-MPB-60L			
Ezi-STEP Plus-R	Ezi-STEP BK HPB-86M	EzStep-HPB-86M	86mm	
	Ezi-STEP BK HPB-86L	EzStep-HPB-86L		
	Ezi-STEP BK HPB-86XL	EzStep-HPB-86XL		
	Ezi-STEP Plus-R	Ezi-STEP BK PR-42S	EzT-NDR-42S	42mm
		Ezi-STEP BK PR-42M	EzT-NDR-42M	
		Ezi-STEP BK PR-42L	EzT-NDR-42L	
Ezi-STEP BK PR-42XL		EzT-NDR-42XL		
Ezi-STEP BK MI PR-42S		EzT-NDR-MI-42S		
Ezi-STEP BK MI PR-42M		EzT-NDR-MI-42M		
Ezi-STEP BK MI PR-42L		EzT-NDR-MI-42L	56mm	
Ezi-STEP BK MI PR-42XL		EzT-NDR-MI-42XL		
Ezi-STEP BK PR-56S		EzT-NDR-56S		
Ezi-STEP BK PR-56M		EzT-NDR-56M		
Ezi-STEP BK PR-56L		EzT-NDR-56L		
Ezi-STEP BK PR-60S		EzT-NDR-60S		60mm
Ezi-STEP BK PR-60M	EzT-NDR-60M			
Ezi-STEP BK PR-60L	EzT-NDR-60L			
Ezi-STEP Plus-R	Ezi-STEP BK PR-86M	EzT-NDR-86M	86mm	
	Ezi-STEP BK PR-86L	EzT-NDR-86L		
	Ezi-STEP BK PR-86XL	EzT-NDR-86XL		
	Ezi-STEP BT	Ezi-STEP BK BT-42S	Drive Integrated	42mm
		Ezi-STEP BK BT-42M	Drive Integrated	
		Ezi-STEP BK BT-42L	Drive Integrated	
Ezi-STEP BK BT-42XL		Drive Integrated	56mm	
Ezi-STEP BK BT-56S		Drive Integrated		
Ezi-STEP BK BT-56M		Drive Integrated		
Ezi-STEP BK BT-56L		Drive Integrated		
Ezi-STEP BK BT-86M		Drive Integrated	86mm	
Ezi-STEP BK BT-86L		Drive Integrated		
Ezi-STEP BK BT-86XL	Drive Integrated			
Ezi-STEP ALL	Ezi-STEP BK ALL-42S	Drive Integrated	42mm	
	Ezi-STEP BK ALL-42M	Drive Integrated		
	Ezi-STEP BK ALL-42L	Drive Integrated		
	Ezi-STEP BK ALL-42XL	Drive Integrated	56mm	
	Ezi-STEP BK ALL-56S	Drive Integrated		
	Ezi-STEP BK ALL-56M	Drive Integrated		
	Ezi-STEP BK ALL-56L	Drive Integrated		
	Ezi-STEP BK ALL-60S	Drive Integrated	60mm	
	Ezi-STEP BK ALL-60M	Drive Integrated		
Ezi-STEP BK ALL-60L	Drive Integrated			

● Ezi-STEP-BK Series Specification and Drawing

◆ Ezi-STEP ST Series

Unit Part Number	Motor						Electromagnetic Brake					Unit					
	Size (mm)	Length L (mm)	Inertia Moment (g · cm ²)	Rated Current (A/Phase)	Voltage(V)	Holding Torque (N · m)	Voltage	Input Voltage(V)	Rated Current(A)	Power Consumption (W)	Friction Torque (N · m)	Weight (Kg)					
Ezi-STEP BK MNB-42S	42	33	35	1,2	3,36	0,32	Non-excitation Type	24VDC ±10%	0,3A ±10%	8,2	0,2	440					
Ezi-STEP BK MNB-42M		39	54		4,32	0,44						510					
Ezi-STEP BK MNB-42L		47	77		4,56	0,5						580					
Ezi-STEP BK MNB-42XL		59	114		7,2	0,8						700					
Ezi-STEP BK MPB-42S		33	35		3,36	0,32						440					
Ezi-STEP BK MPB-42M		39	54		4,32	0,44						510					
Ezi-STEP BK MPB-42L		47	77		4,56	0,5						580					
Ezi-STEP BK MPB-42XL		59	114		7,2	0,8						700					
Ezi-STEP BK MPB-56S	56	46	120	3	1,56	0,64						Non-excitation Type	24VDC ±10%	0,3A ±10%	7,5	0,7	970
Ezi-STEP BK MPB-56M		54	200		1,62	1											1130
Ezi-STEP BK MPB-56L		80	480		2,7	2											1550
Ezi-STEP BK MPB-60S	60	46	140	4	1,52	0,88											0,3A ±10%
Ezi-STEP BK MPB-60M		56	320		1,56	1,28			1280								
Ezi-STEP BK MPB-60L		90	800		2,6	2,4			1880								
Ezi-STEP BK HPB-86M	86	79	1400	6	2,4	4			0,43A ±10%	10,5	2,5			3600			
Ezi-STEP BK HPB-86L		117	2700		3,6	7,5								5100			
Ezi-STEP BK HPB-86XL		155	4000		4,38	9								6600			

* Electromagnetic brake will not be using for braking but for holding position when power-off.

* Weight is total sum of motor and electromagnetic brake integrated.

◆ Ezi-STEP Plus-R Series

Unit Part Number	Motor						Electromagnetic Brake					Unit					
	Size (mm)	Length L (mm)	Inertia Moment (g · cm ²)	Rated Current (A/Phase)	Voltage(V)	Holding Torque (N · m)	Voltage	Input Voltage(V)	Rated Current(A)	Power Consumption (W)	Friction Torque (N · m)	Weight (Kg)					
Ezi-STEP BK PR-42S	42	33	35	1,2	3,36	0,32	Non-excitation Type	24VDC ±10%	0,3A ±10%	8,2	0,2	440					
Ezi-STEP BK PR-42M		39	54		4,32	0,44						510					
Ezi-STEP BK PR-42L		47	77		4,56	0,5						580					
Ezi-STEP BK PR-42XL		59	114		7,2	0,8						700					
Ezi-STEP BK MI-PR-42S		33	35		3,36	0,32						440					
Ezi-STEP BK MI-PR-42M		39	54		4,32	0,44						510					
Ezi-STEP BK MI-PR-42L		47	77		4,56	0,5						580					
Ezi-STEP BK MI-PR-42XL		59	114		7,2	0,8						700					
Ezi-STEP BK PR-56S	56	46	120	3	1,56	0,64						Non-excitation Type	24VDC ±10%	0,3A ±10%	7,5	0,7	970
Ezi-STEP BK PR-56M		54	200		1,62	1											1130
Ezi-STEP BK PR-56L		80	480		2,7	2											1550
Ezi-STEP BK PR-60S	60	46	140	4	1,52	0,88											0,3A ±10%
Ezi-STEP BK PR-60M		56	320		1,56	1,28			1280								
Ezi-STEP BK PR-60L		90	800		2,6	2,4			1880								
Ezi-STEP BK PR-86M	86	79	1400	6	2,4	4			0,43A ±10%	10,5	2,5			3600			
Ezi-STEP BK PR-86L		117	2700		3,6	7,5								5100			
Ezi-STEP BK PR-86XL		155	4000		4,38	9								6600			

* Electromagnetic brake will not be using for braking but for holding position when power-off.

* Weight is total sum of motor and electromagnetic brake integrated.

◆ Ezi-STEP ST Series Drawings (42mm)

Ezi-STEP ST Series Unit Part Number		Length L (mm)	Motor Part Number
Ezi-STEP BK MNB-42S	Ezi-STEP BK MPB-42S	33	BM-42S
Ezi-STEP BK MNB-42M	Ezi-STEP BK MPB-42M	39	BM-42M
Ezi-STEP BK MNB-42L	Ezi-STEP BK MPBI-42L	47	BM-42L
Ezi-STEP BK MNB-42XL	Ezi-STEP BK MPB-42XL	59	BM-42XL

* Ezi-STEP BK MNB-42S only can be operated by 24VDC Motor input voltage

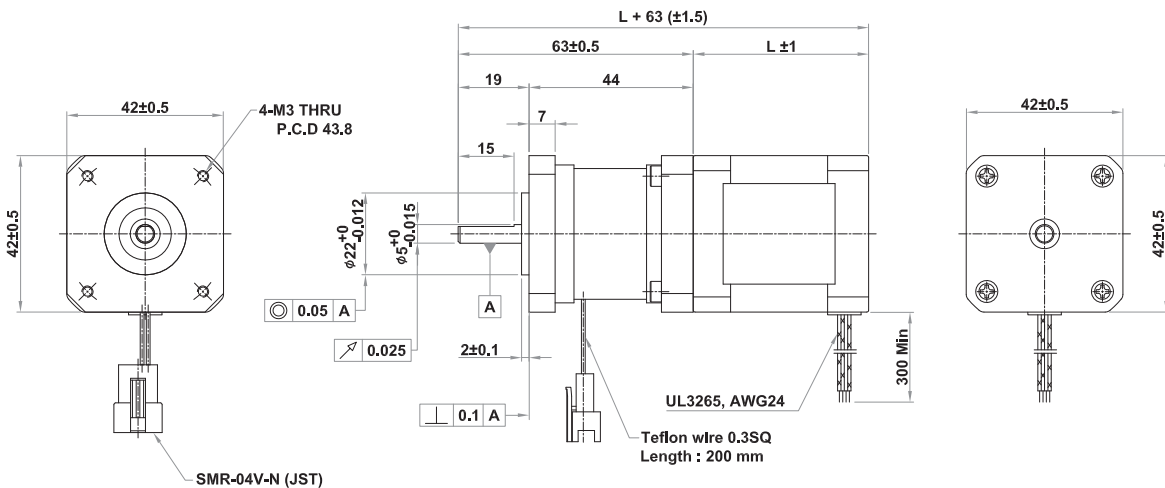
* Ezi-STEP BK MPB-42S/M/L/XL can be operated by 24VDC and also 40VDC Motor input voltage

◆ Ezi-STEP Plus-R Series Drawings (42mm)

Ezi-STEP Plus-R Series Unit Part Number		Length L (mm)	Motor Part Number
Ezi-STEP BK PR-42S	Ezi-STEP BK MI-PR-42S	33	BM-42S
Ezi-STEP BK PR-42M	Ezi-STEP BK MI-PR-42M	39	BM-42M
Ezi-STEP BK PR-42L	Ezi-STEP BK MI-PR-42L	47	BM-42L
Ezi-STEP BK PR-42XL	Ezi-STEP BK MI-PR-42XL	59	BM-42XL

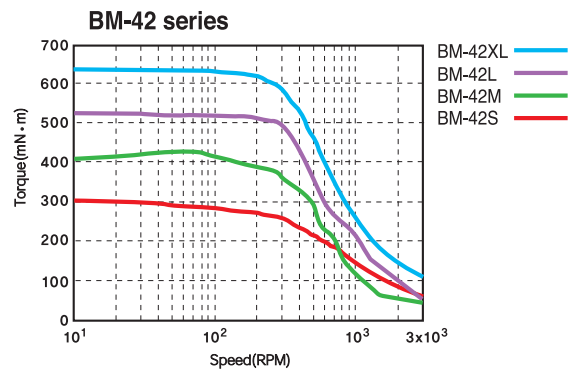
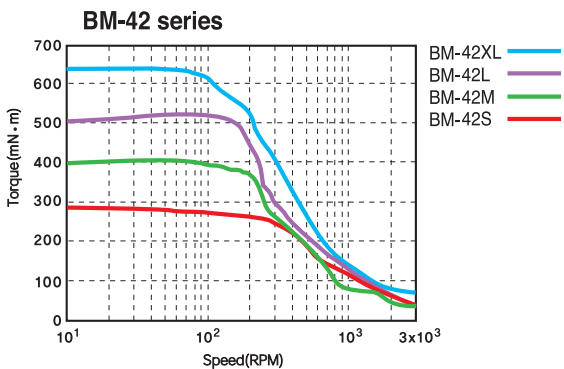
* Ezi-STEP BK PR MI-42S/M/L/XL only can be operated by 24VDC Motor input voltage

* Ezi-STEP BK PR 42S/M/L/XL can be operated by 24VDC and also 40VDC Motor input voltage.



FASTECH Ezi-STEP BK

◆ Ezi-STEP ST & Plus R Series Speed-Torque Curve (Motor Size 42mm)



◆ Ezi-STEP ST Series Drawings (56mm)

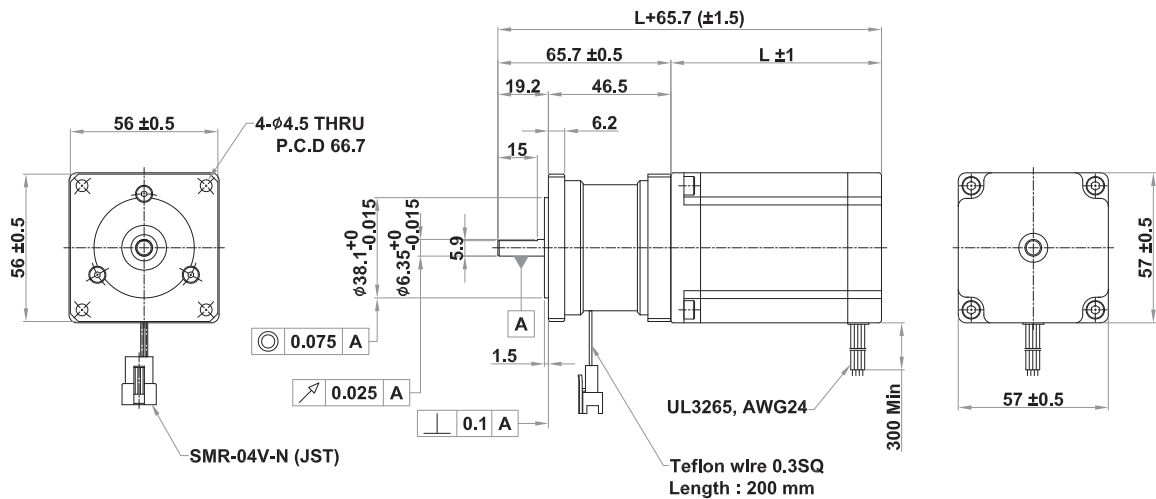
Ezi-STEP ST eries Unit Part Number	Length L (mm)	Motor Part Number
Ezi-STEP BK MPB-56S	46	BM-56S
Ezi-STEP BK MPB-56M	54	BM-56M
Ezi-STEP BK MPB-56L	80	BM-56L

* Ezi-STEP BK-56S/M/L can be operated by 24VDC and also 40VDC Motor input voltage.

◆ Ezi-STEP Plus-R Series Drawings (56mm)

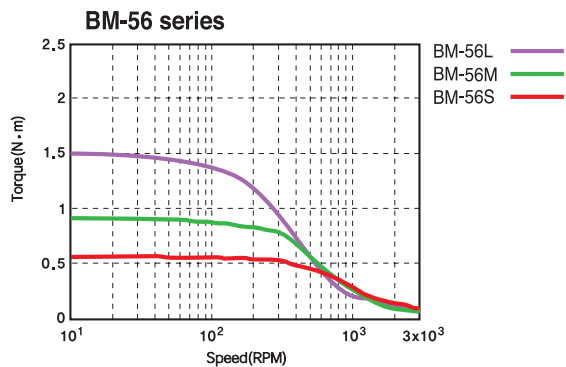
Ezi-STEP Plus R eries Unit Part Number	Length L (mm)	Motor Part Number
Ezi-STEP BK PR-56S	46	BM-56S
Ezi-STEP BK PR-56M	54	BM-56M
Ezi-STEP BK PR-56L	80	BM-56L

* Ezi-STEP BK PR-56S/M/L can be operated by 24VDC and also 40VDC Motor input voltage.

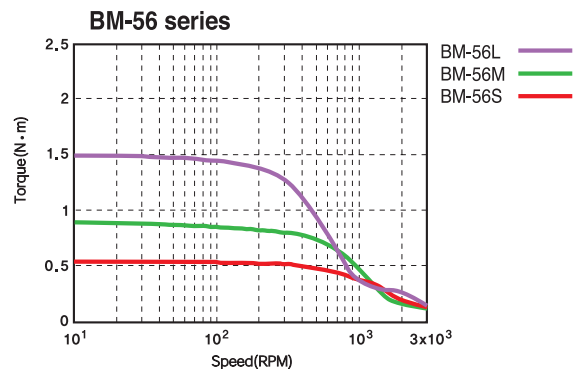


FASTECH Ezi-STEP BK

◆ Ezi-STEP ST & Plus-R Series Speed-Torque Curve (Motor Size 56mm)



※Measured Condition : Motor Voltage = 24VDC
Motor Current = Rated Current
(Refer to Motor Specification)
Drive = Ezi-STEP



※Measured Condition : Motor Voltage = 40VDC
Motor Current = Rated Current
(Refer to Motor Specification)
Drive = Ezi-STEP

◆ Ezi-STEP ST Series Drawings (60mm)

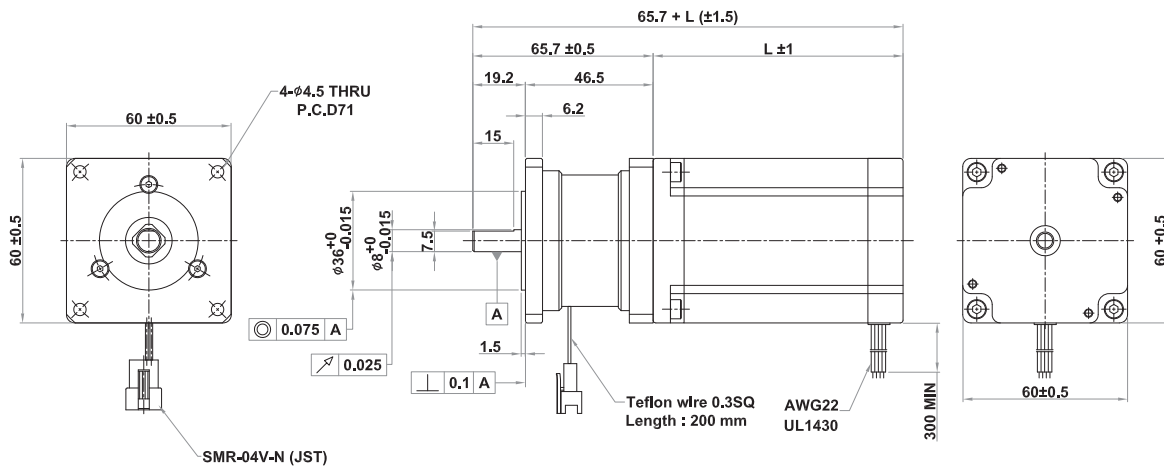
Ezi-STEP ST Series Unit Part Number	Length L (mm)	Motor Part Number
Ezi-STEP BK-60S	46	BM-60S
Ezi-STEP BK-60M	56	BM-60M
Ezi-STEP BK-60L	90	BM-60L

* Ezi-STEP BK-60S/M/L can be operated by 24VDC and also 40VDC Motor input voltage.

◆ Ezi-STEP Plus-R Series Drawings (60mm)

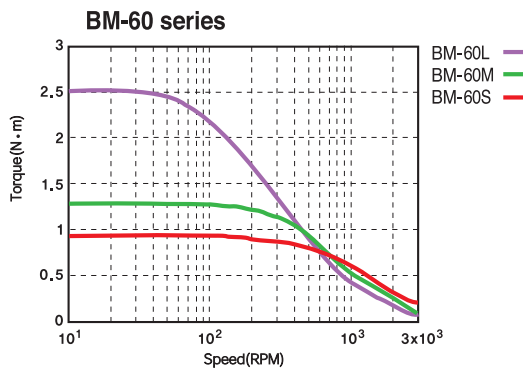
Ezi-STEP Plus R Series Unit Part Number	Length L (mm)	Motor Part Number
Ezi-STEP BK PR-60S	46	BM-60S
Ezi-STEP BK PR-60M	56	BM-60M
Ezi-STEP BK PR-60L	90	BM-60L

* Ezi-STEP BK PR-60S/M/L can be operated by 24VDC and also 40VDC Motor input voltage.

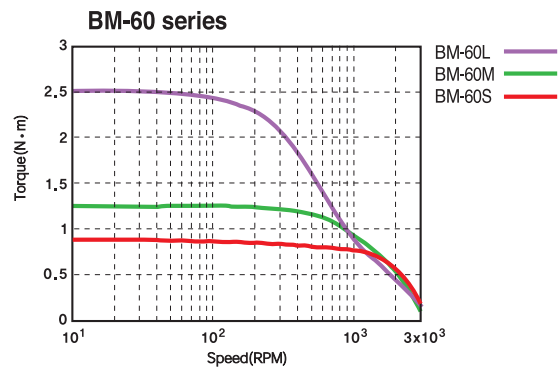


FASTECH Ezi-STEP BK

◆ Ezi-STEP ST & Plus-R Series Speed-Torque Curve (Motor Size 60mm)



※ Measured Condition : Motor Voltage = 24VDC
 Motor Current = Rated Current
 (Refer to Motor Specification)
 Drive = Ezi-STEP



※ Measured Condition : Motor Voltage = 40VDC
 Motor Current = Rated Current
 (Refer to Motor Specification)
 Drive = Ezi-STEP

◆ Ezi-STEP ST Series Drawings (86mm)

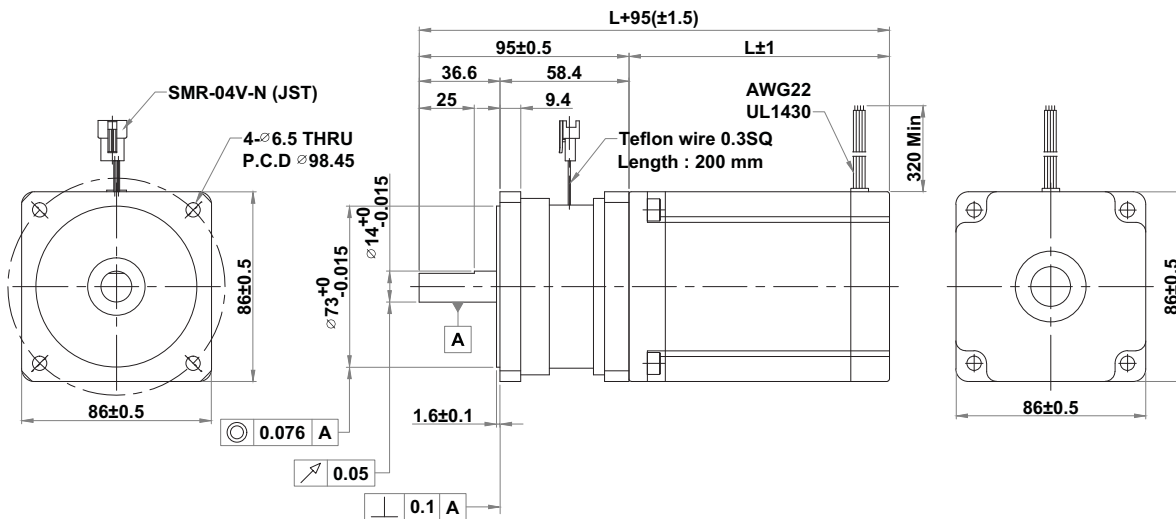
Ezi-STEP ST Series Unit Part Number	Length L (mm)	Motor Part Number
Ezi-STEP BK HPB-86M	79	BM-86M
Ezi-STEP BK HPB-86L	117	BM-86L
Ezi-STEP BK HPB-86XL	155	BM-86XL

* Ezi-STEP BK HPB-86M/L/XL only can be operated by 40~70VDC Motor input voltage.

◆ Ezi-STEP Plus-R Series Drawings (86mm)

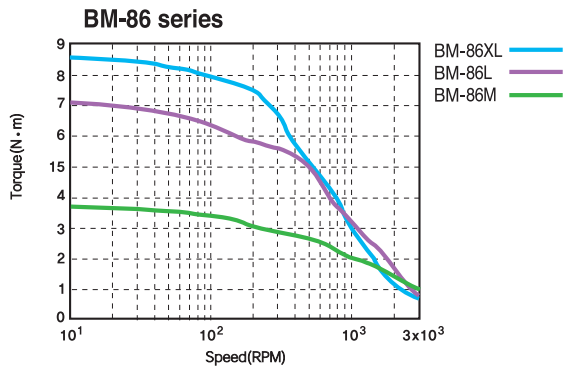
Ezi-STEP ST Series Unit Part Number	Length L (mm)	Motor Part Number
Ezi-STEP BK PR-86M	79	BM-86M
Ezi-STEP BK PR-86L	117	BM-86L
Ezi-STEP BK PR-86XL	155	BM-86XL

* Ezi-STEP BK PR-86M/L/XL only can be operated by 40~70VDC Motor input voltage.



FASTECH Ezi-STEP BK

◆ Ezi-STEP ST & Plus-R Series Speed-Torque Curve (Motor Size 86mm)

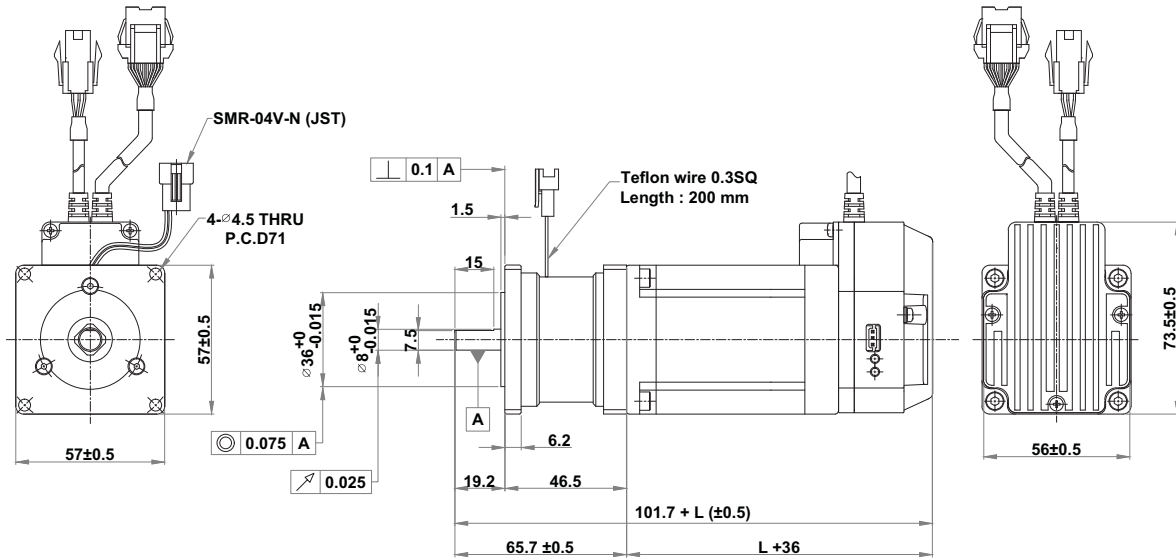


※Measured Condition : Motor Voltage = 70VDC
 Motor Current = Rated Current
 (Refer to Motor Specification)
 Drive = Ezi-STEP

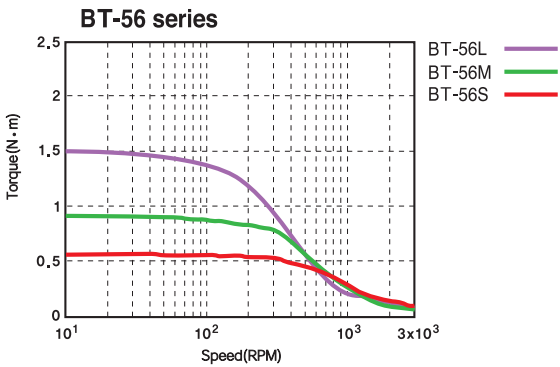
◆ Ezi-STEP BT Series Drawings (56mm)

Ezi-STEP BT Series Unit Part Number	Length L (mm)	Motor Part Number
Ezi-STEP BK BT-56S	46	BT-56S
Ezi-STEP BK BT-56M	54	BT-56M
Ezi-STEP BK BT-56L	80	BT-56L

* Ezi-STEP BK BT-56S/M/L/ only can be operated by 24VDC Motor input voltage.



◆ Ezi-STEP BT Series Speed-Torque Curve (Motor Size 56mm)

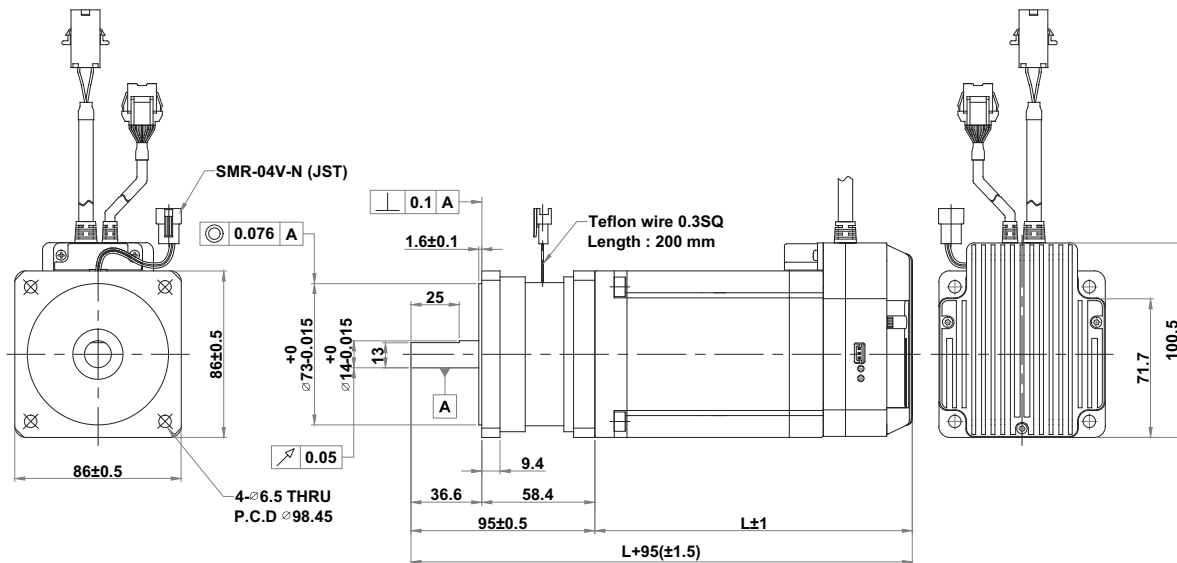


※Measured Condition : Motor Voltage = 24VDC
 Motor Current = Rated Current
 (Refer to Motor Specification)
 Drive = Ezi-STEP-BT

◆ Ezi-STEP BT Series Drawings (86mm)

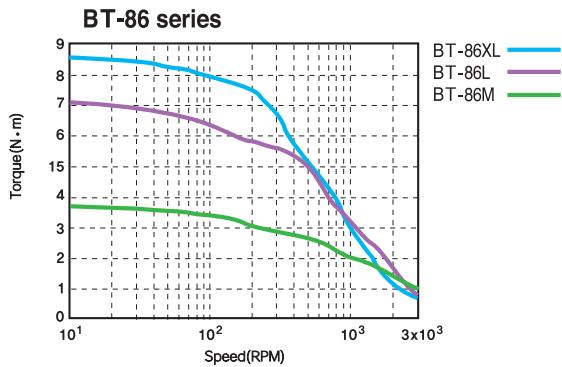
Ezi-STEP BT Series Unit Part Number	Length L (mm)	Motor Part Number
Ezi-STEP BK BT-86M	79	BT-86M
Ezi-STEP BK BT-86L	117	BT-86L
Ezi-STEP BK BT-86XL	155	BT-86XL

* Ezi-STEP BK BT-86S/M/L/ only can be operated by 24VDC Motor input voltage.



FASTECH Ezi-STEP BK

◆ Ezi-STEP BT Series Speed-Torque Curve (Motor Size 86mm)



※ Measured Condition : Motor Voltage = 70VDC
 Motor Current = Rated Current
 (Refer to Motor Specification)
 Drive = Ezi-STEP-BT

◆ Ezi-STEP ALL Series

Unit Part Number	Motor					Electromagnetic Brake					Unit							
	Size (mm)	Length L (mm)	Inertial Moment (g · cm ²)	Rated Current (A/Phase)	Voltage (V)	Holding Torque (N · m)	Voltage	Input Voltage (V)	Rated Current (A)	Power Consumption (W)	Friction Torque (N · m)	Weight (Kg)						
Ezi-STEP BK ALL-42S	42	33	35	1.2	3,36	0,32	Non-excitation Types	24VDC ±10%	0,3A ±10%	8,2	0,2	560						
Ezi-STEP BK ALL-42M		39	54		4,32	0,44						630						
Ezi-STEP BK ALL-42L		47	77		4,56	0,5						690						
Ezi-STEP BK ALL-42XL		59	114		7,2	0,8						820						
Ezi-STEP BK ALL-56S	56	46	120	3	1,56	0,64				Non-excitation Types	24VDC ±10%	0,3A ±10%	7,5	0,7	1090			
Ezi-STEP BK ALL-56M		54	200		1,62	1									1250			
Ezi-STEP BK ALL-56L		80	480		2,7	2									1690			
Ezi-STEP BK ALL-60S	60	46	140	4	1,52	0,88							Non-excitation Types	24VDC ±10%	0,3A ±10%	7,5	0,7	1200
Ezi-STEP BK ALL-60M		56	320		1,56	1,28												1390
Ezi-STEP BK ALL-60L		90	800		2,6	2,4												2010

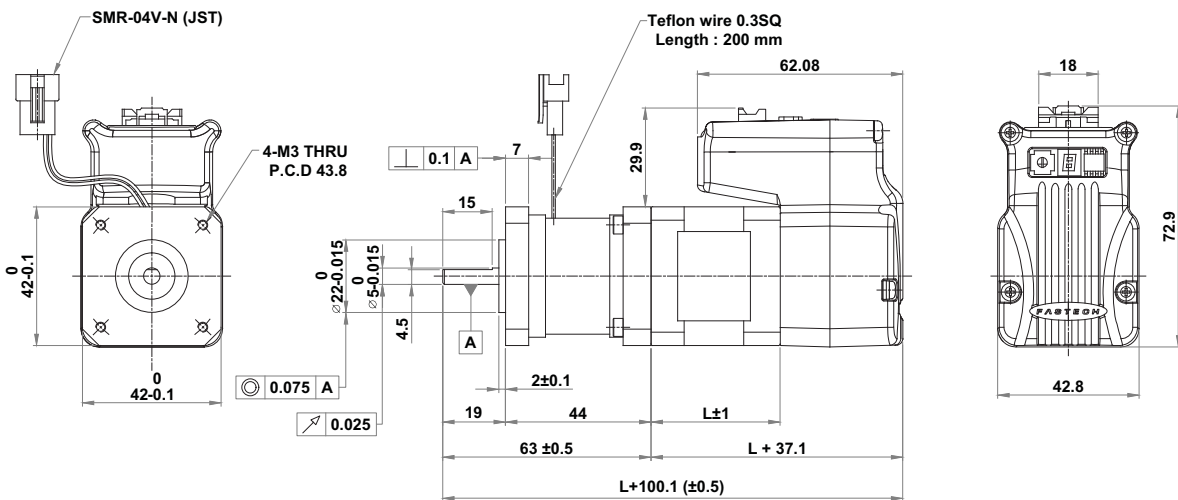
* Electromagnetic brake will not be using for braking but for holding position when power-off.

* Weight is total sum of motor and electromagnetic brake integrated.

◆ Ezi-STEP ALL Series Drawings (42mm)

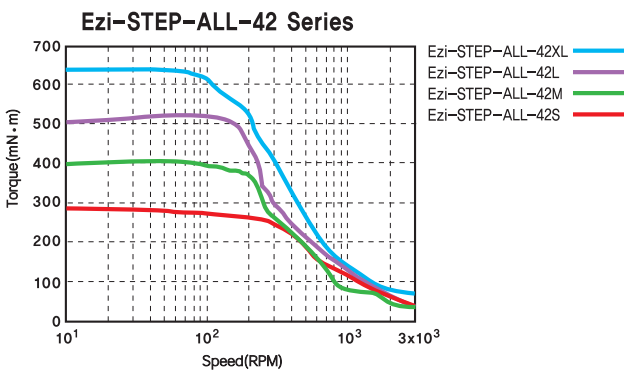
Ezi-STEP ALL Series Unit Part Number	Length L (mm)	Motor Part Number
Ezi-STEP BK ALL-42S	33	Ezi-STEP ALL-42S
Ezi-STEP BK ALL-42M	39	Ezi-STEP ALL-42M
Ezi-STEP BK ALL-42L	47	Ezi-STEP ALL-42L
Ezi-STEP BK ALL-42XL	59	Ezi-STEP ALL-42XL

* Ezi-STEP BK BT-56S/M/L/ only can be operated by 24VDC Motor input voltage.



FASTECH Ezi-STEP BK

◆ Ezi-STEP ALL Series Speed-Torque Curve (Motor Size 42mm)

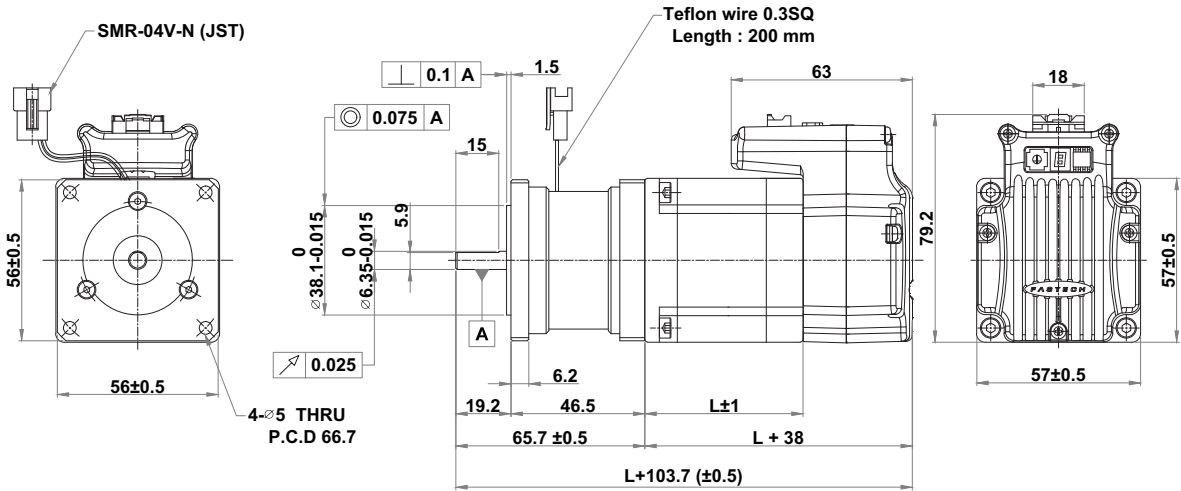


※Measured Condition : Motor Voltage = 24VDC
 Motor Current = Rated Current
 (Refer to Motor Specification)
 Drive = Ezi-STEP-ALL

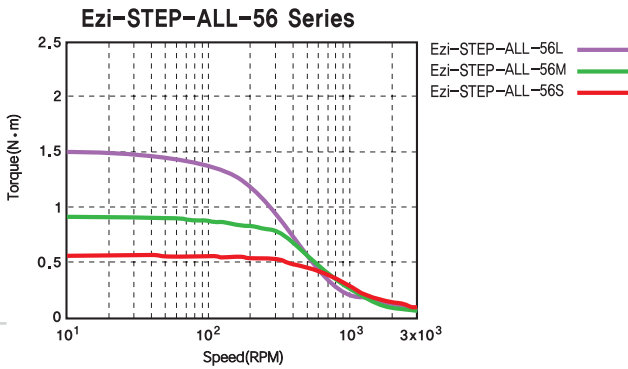
◆ Ezi-STEP ALL Series Drawings (56mm)

Ezi-STEP ALL Series Unit Part Number	Length L (mm)	Motor Part Number
Ezi-STEP BK ALL-56S	46	Ezi-STEP ALL-56S
Ezi-STEP BK ALL-56M	54	Ezi-STEP ALL-56M
Ezi-STEP BK ALL-56L	80	Ezi-STEP ALL-56L

* Ezi-STEP BK ALL-56S/M/L/ only can be operated by 24VDC Motor input voltage.



◆ Ezi-STEP ALL Series Speed-Torque Curve (Motor Size 56mm)

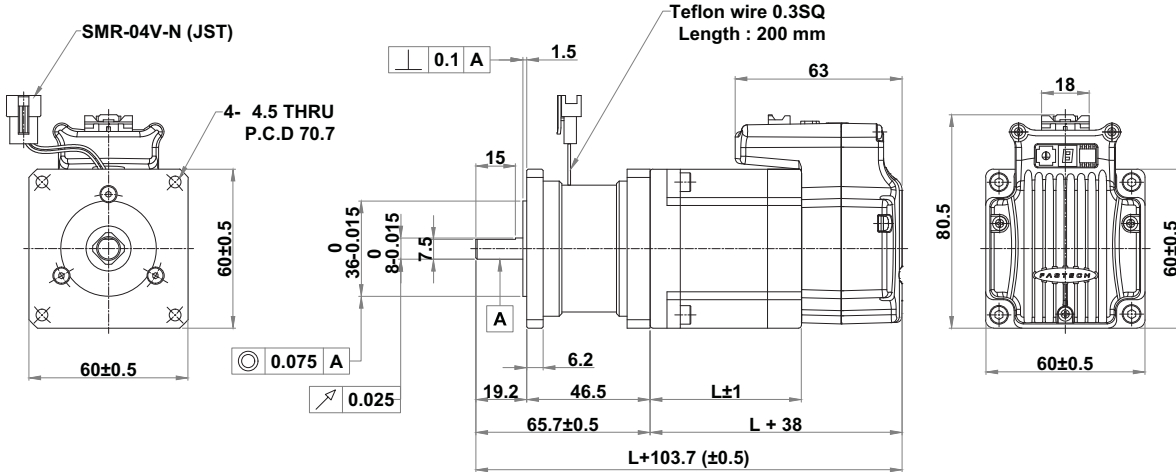


※ Measured Condition : Motor Voltage = 24VDC
 Motor Current = Rated Current
 (Refer to Motor Specification)
 Drive = Ezi-STEP-ALL

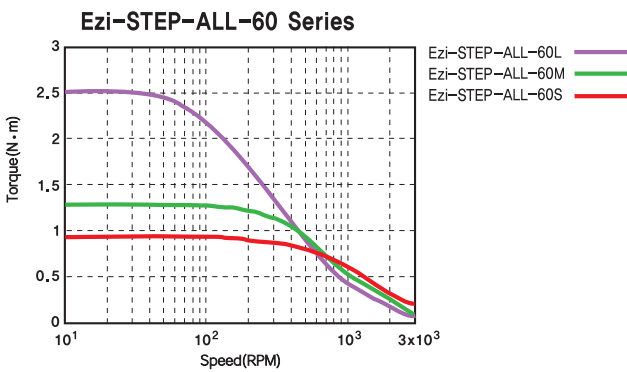
◆ Ezi-STEP ALL Series Drawings (60mm)

Ezi-STEP ALL Series Unit Part Number	Length L (mm)	Motor Part Number
Ezi-STEP BK ALL-60S	46	Ezi-STEP ALL-60S
Ezi-STEP BK ALL-60M	54	Ezi-STEP ALL-60M
Ezi-STEP BK ALL-60L	80	Ezi-STEP ALL-60L

* Ezi-STEP BK ALL-60S/M/L/ only can be operated by 24VDC Motor input voltage.



◆ Ezi-STEP ALL Series Speed-Torque Curve (Motor Size 60mm)



※Measured Condition : Motor Voltage = 24VDC
 Motor Current = Rated Current
 (Refer to Motor Specification)
 Drive = Ezi-STEP-ALL

● Ezi-STEP BK Series Permissible Overhung Load and Thrust Load

Unit Part Number				Permissible Overhung Load (N)				Permissible Thrust Load (N)
Ezi-STEP ST Series	Ezi-STEP PR Series	Ezi-STEP BT Series	Ezi-STEP ALL Series	Distance from the end of motor shaft (mm)				
				3	8	13	18	
Ezi-STEP BK MNB-42S	Ezi-STEP BK PR-42S	Ezi-STEP BK BT-42S	Ezi-STEP BK ALL-42S	22	26	33	46	be lower than Unit' s weight
Ezi-STEP BK MNB-42M	Ezi-STEP BK PR-42M	Ezi-STEP BK BT-42M	Ezi-STEP BK ALL-42M					
Ezi-STEP BK MNB-42L	Ezi-STEP BK PR-42L	Ezi-STEP BK BT-42L	Ezi-STEP BK ALL-42L					
Ezi-STEP BK MNB-42XL	Ezi-STEP BK PR-42XL	Ezi-STEP BK BT-42XL	Ezi-STEP BK ALL-42XL					
Ezi-STEP BK MPB-42S	Ezi-STEP BK MI-PR-42S	-	-					
Ezi-STEP BK MPB-42M	Ezi-STEP BK MI-PR-42M	-	-					
Ezi-STEP BK MPB-42L	Ezi-STEP BK MI-PR-42L	-	-					
Ezi-STEP BK MPB-42XL	Ezi-STEP BK MI-PR-42XL	-	-					
Ezi-STEP BK MPB-56S	Ezi-STEP BK PR-56S	Ezi-STEP BK BT-56S	Ezi-STEP BK ALL-56S	52	65	85	123	
Ezi-STEP BK MPB-56M	Ezi-STEP BK PR-56M	Ezi-STEP BK BT-56M	Ezi-STEP BK ALL-56M					
Ezi-STEP BK MPB-56L	Ezi-STEP BK PR-56L	Ezi-STEP BK BT-56L	Ezi-STEP BK ALL-56L					
Ezi-STEP BK MPB-60S	Ezi-STEP BK PR-60S	-	Ezi-STEP BK ALL-60S	70	87	114	165	
Ezi-STEP BK MPB-60M	Ezi-STEP BK PR-60M	-	Ezi-STEP BK ALL-60M					
Ezi-STEP BK MPB-60L	Ezi-STEP BK PR-60L	-	Ezi-STEP BK ALL-60L					
Ezi-STEP BK HPB-86M	Ezi-STEP BK PR-86M	Ezi-STEP BK BT-56S	-	270	300	350	400	
Ezi-STEP BK HPB-86L	Ezi-STEP BK PR-86L	Ezi-STEP BK BT-56M	-					
Ezi-STEP BK HPB-86XL	Ezi-STEP BK PR-86XL	Ezi-STEP BK BT-56L	-					

● Drive Specification and Size

Please refer to the individual catalogue (Ezi-STEP ST, Ezi-STEP Plus R, Ezi-STEP-BT and Ezi-STEP-ALL) to check drive specification and size of Ezi-STEP ST/PR/BT/ALL of Ezi-STEP BK Series

● System Configuration and Setting/Operation

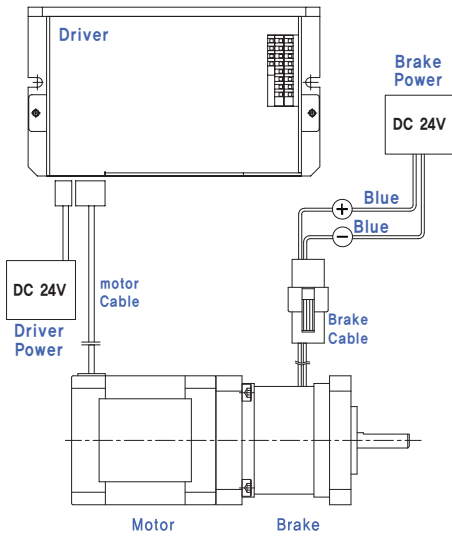
Please refer to the individual catalogue (Ezi-STEP ST, Ezi-STEP Plus R, Ezi-STEP-BT and Ezi-STEP-ALL) to check Series' system configuration, setting and operation of Ezi-STEP ST/PR/BT/ALL of Ezi-STEP BK Series

● External Wiring Diagram

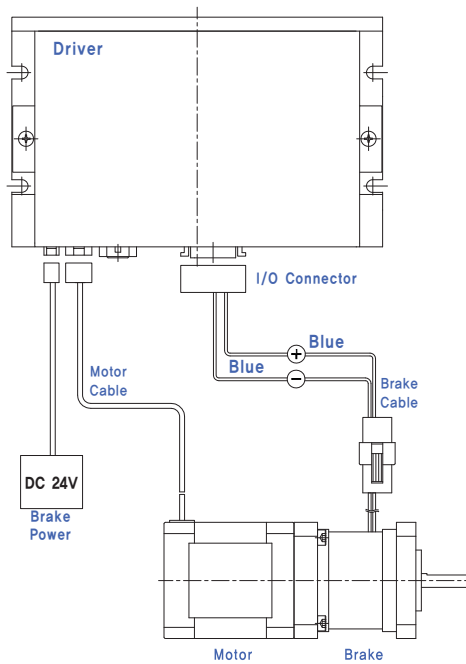
Please refer to the individual catalogue (Ezi-STEP ST, Ezi-STEP Plus R, Ezi-STEP-BT and Ezi-STEP-ALL) to check Series' external wiring diagram of Ezi-STEP ST/PR/BT/ALL of Ezi-STEP BK Series

● Interface between Power and Ezi-SERVO BK Series of electromagnetic Brake

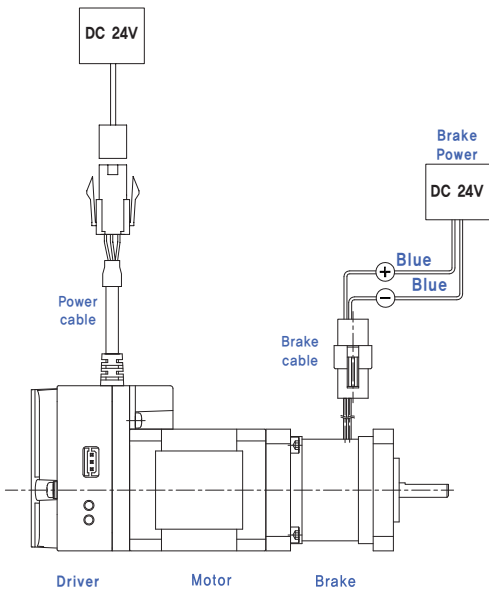
◆ Ezi-STEP ST Series



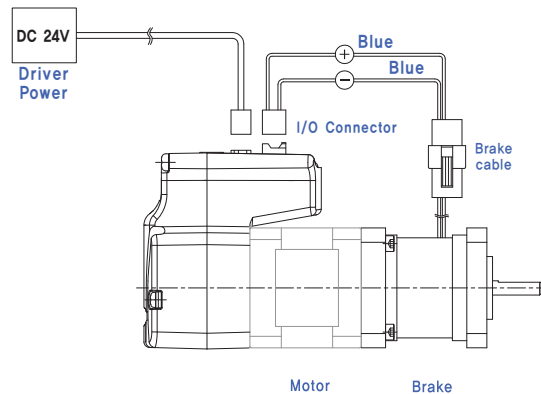
◆ Ezi-STEP Plus R Series



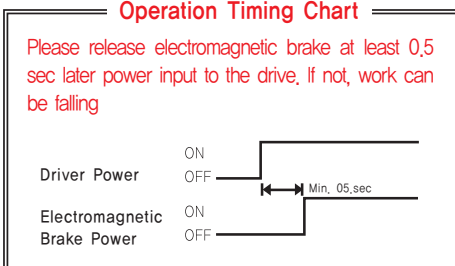
◆ Ezi-STEP BT Series



◆ Ezi-STEP ALL Series



Electromagnetic Brake Operation Timing Chart



- Please use Cable at least thicker than AWG24 (0,2mm²) when connect electromagnetic brake and power.
- Electromagnetic Brake is non-polar so there is no polarity in Brake Cable
- Over input voltage can induce high temperature of electromagnetic brake and motor so it can be main reason of failure
- Reversely too low input voltage will cause non-operation of electromagnetic brake.



FASTECH Co., Ltd.

Rm #1202, Bucheon Technopark 401 Dong, Yakdea-dong,
Wonmi-Gu, Bucheon-si, Gyeonggi-do, Rep. Of Korea (Zip)420-734
TEL : 82-32-234-6300,6301 FAX : 82-32-234-6302
E-mail : daniel@fastech.co.kr website: www.fastech.co.kr

FASTECH AMERICA LLC

811 E Plano Parkway, Suite 110A, Plano, TX 75074 USA
Toll Free: 877-905-4428 972-218-0210
Email: support@fastechamerica.com
website: www.fastechamerica.com