

HYGIENIC ELECTRIC ROD STYLE ACTUATOR RSH

The all 316 series stainless-steel RSH Hygienic Electric Rod Style Actuator incorporates hygienic design principles and has an IP69K rating (static). Available in 22, 25 & 30 sizes, the RSH is built-to-order in stroke lengths up to 48 in (1.219 m) with force up to 7,943 lbf (35.3 kN).

ALL POLISHED 316 STAINLESS STEEL CONSTRUCTION

- 316 series stainless steel for corrosion resistance
- Simplifies and lowers cost of machine design by eliminating the need for protective guards around standard actuators

DUAL SEAL SYSTEM

Use the dual seal system that provides the longest life in your application

Seal Option	Seal Materials	Usage
PSL	Polyurethane/ Polyurethane Rod Seals (Standard)	Longest Lasting for Most Applications. High Tolerance of Abrasives Like Salt and Sugar
USL	Polyurethane/ UHMWPE Rod Seals (Severe Chemical)	Use When High Concentrations of Caustic Chemicals are Present Including Ammonium Chloride and Hydrogen Peroxide.

REPLACEABLE SEALS

Quick seal cartridge replacement without special tools

GREASE PORT

- Screw re-lubrication system provides extended screw life
- Convenient lubrication without disassembly

WELDED SEAMS

Leaving no gaps which eases cleanup and helps to prevent bacterial growth

IP69K RATED

- To withstand high-pressure wash-down
- Clean-in-place compatible

HYGIENIC BREATHER/PURGE PORT

Helps prevent contaminants from entering into actuator

HYGIENIC STAINLESS STEEL FASTENERS

- Standard metric threads
- Hex fasteners for sturdy construction without potential particle collection areas
- Included for your motor: EHEDG compliant 316 stainless seal sealed bolts

Features: ERD

2. THREADED ROD END

- Compatible with many commercially available metric rod end accessories
- Standard metric threads

3. GREASE PORT

- Screw re-lubrication system provides extended screw life
- Convenient lubrication without disassembly

6. WELDED SEAMS

- Leaving no gaps which eases cleanup and helps to prevent bacterial growth

7. SMOOTH EXTERIOR

- Polished, contoured mating surface designed to provide IP69K seal for today's hygienic servo motors

8. IP69K OPTION

- To withstand high-pressure wash-down
- Clean-in-place compatible

9. BREATHER/PURGE PORT

- Helps prevent contaminants from entering into actuator

Improvements: RSH

1. FRONT FACE SEALING O-RING

Hygienic design from head to toe

2. THREADED ROD END

- Compatible with many commercially available metric rod end accessories
- Standard metric threads

3. GREASE PORT

- Screw re-lubrication system provides extended screw life
- Convenient lubrication without disassembly

4. CARTRIDGE W/ REPLACEABLE SEALS

Quick seal cartridge replacement without special tools

5. DUAL SEAL SYSTEM

Use the dual seal system that provides the longest life in your application

6. WELDED SEAMS

- Leaving no gaps which eases cleanup and helps to prevent bacterial growth

7. ALL POLISHED 316 STAINLESS STEEL WITH SMOOTH EXTERIOR

- 316 series stainless steel for corrosion resistance
- Simplifies and lowers cost of machine design by eliminating the need for protective guards around standard actuators

8. IP69K RATED (STANDARD)

- To withstand high-pressure wash-down
- Clean-in-place compatible

9. HYGIENIC BREATHER/PURGE PORT

- Helps prevent contaminants from entering into actuator

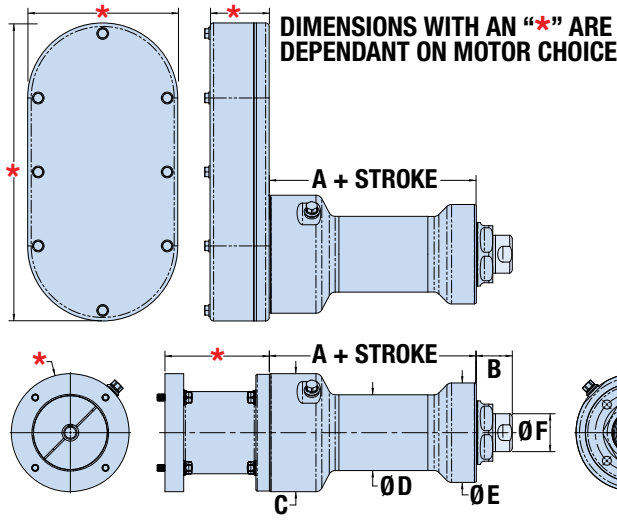
10. HYGIENIC STAINLESS STEEL FASTENERS

- Standard metric threads
- Hex fasteners for sturdy construction without potential particle collection areas
- Included for your motor: EHEDG compliant 316 stainless seal sealed bolts

HYGIENIC ELECTRIC ROD STYLE ACTUATOR

RSH

Dimensions:



tolomatic.com/CAD
Download 3D CAD
 Always use CAD solid model to determine critical dimensions

	A	B	ØC	ØD	ØE	ØF	G
RSH22	155.9	27.3	89.0	57.2	75.0	28.6	26.0
RSH25	211.2	35.3	125.0	89.0	89.0	35.0	30.0
RSH30	237.2	35.3	125.0	89.0	114.0	54.0	50.0

Dimensions in millimeters

	A	B	ØC	ØD	ØE	ØF	G
RSH22	6.14	1.08	3.50	2.25	2.95	1.13	1.02
RSH25	8.31	1.39	4.92	3.50	3.50	1.38	1.18
RSH30	9.34	1.39	4.92	3.50	4.49	2.13	1.97

Dimensions in inches

SPECIFICATIONS (metric measurement)

RSH SIZE	MAXIMUM STROKE*	SCREW CODE	LEAD	LEAD ACCURACY	BACKLASH	MAXIMUM THRUST	DYNAMIC LOAD RATING	WEIGHT		
								LMI	RP	Per 25mm
								Base	Base	kg
22	1000.0	BNM05	5.00	0.10	0.07	7562	13700	5.3	8.6	0.01
	1000.0	BNM10	10.00	0.10	0.07	7562	21000	5.2	8.6	0.01
	1000.0	BNM20	20.00	0.10	0.07	4448	10000	5.3	8.6	0.01
	609.6	RNM04	4.00	0.01	0.03	7562	32500	5.7	9.0	0.01
	609.6	RNM05	5.00	0.01	0.03	7562	32500	5.7	9.0	0.01
	609.6	RNM10	10.00	0.01	0.03	6921	32500	5.7	9.0	0.01
25	1000.0	BN04	6.35	0.10	0.38	12659	14456	15.8	18.2	0.02
	1000.0	BNM05	5.00	0.05	0.06	8896	16800	15.6	18.0	0.01
	1000.0	BNM10	10.00	0.05	0.06	7784	23000	15.7	18.2	0.01
	1000.0	BNM25	25.00	0.10	0.08	3114	20000	15.6	18.1	0.01
	914.4	RNM04	4.00	0.01	0.03	18499	65500	16.7	19.1	0.01
	914.4	RNM05	5.00	0.01	0.03	17249	65500	16.7	19.1	0.01
30	1219.2	RNM10	10.00	0.01	0.03	18499	65500	16.7	19.1	0.01
	1219.2	BN04	6.35	0.10	0.38	20016	18904	18.7	21.1	0.02
	1219.2	BNM05	5.00	0.02	0.06	13344	24900	19.2	21.6	0.02
	1219.2	BNM10	10.00	0.05	0.08	13122	43400	19.8	22.3	0.02
	1219.2	BNM20	20.00	0.05	0.08	8220	42800	19.0	21.4	0.02
	1219.2	RNM05	5.00	0.01	0.03	34997	65500	19.7	22.2	0.02
1219.2	RNM10	10.00	0.01	0.03	35330	65500	19.7	22.2	0.02	

SPECIFICATIONS (US conventional measurement)

RSH SIZE	MAXIMUM STROKE*	SCREW CODE	LEAD	LEAD ACCURACY	BACKLASH	MAXIMUM THRUST	DYNAMIC LOAD RATING	WEIGHT		
								LMI	RP	Per Inch
								Base	Base	lb
22	39.4	BNM05	0.197	0.004	0.003	1700	3080	11.6	18.9	0.45
	39.4	BNM10	0.394	0.004	0.003	1700	4721	11.5	18.9	0.45
	39.4	BNM20	0.787	0.004	0.003	1000	2248	11.6	18.9	0.45
	24	RNM04	0.157	0.0004	0.0012	1700	7306	12.5	19.9	0.38
	24	RNM05	0.197	0.0004	0.0012	1700	7306	12.5	19.9	0.38
	24	RNM10	0.394	0.0004	0.0012	1556	7306	12.5	19.9	0.38
25	39.4	BN04	0.250	0.004	0.015	2846	3250	34.8	40.2	0.84
	39.4	BNM05	0.197	0.002	0.0024	2000	3777	34.3	39.7	0.82
	39.4	BNM10	0.394	0.002	0.0031	1750	5171	34.7	40.1	0.82
	39.4	BNM25	0.984	0.004	0.0031	700	4496	34.5	39.9	0.83
	36	RNM04	0.157	0.0004	0.0012	4159	14725	36.8	42.2	0.79
	36	RNM05	0.197	0.0004	0.0012	3878	14725	36.8	42.2	0.79
30	36	RNM10	0.394	0.0004	0.0012	4159	14725	36.8	42.2	0.79
	48	BN04	0.250	0.004	0.015	4500	4250	41.2	46.6	1.30
	48	BNM05	0.197	0.001	0.0024	3000	5598	42.3	47.7	1.32
	48	BNM10	0.394	0.002	0.0031	2950	9757	43.7	49.1	1.32
	48	BNM20	0.787	0.002	0.0031	1848	9622	41.8	47.2	1.32
	48	RNM05	0.197	0.0004	0.0012	7868	14725	43.5	48.9	1.16
48	RNM10	0.394	0.0004	0.0012	7943	14725	43.5	48.9	1.16	



MADE IN U.S.A.

Tolomatic™

EXCELLENCE IN MOTION

COMPANY WITH
 QUALITY SYSTEM
 CERTIFIED BY DNV
 = ISO 9001 =
 Certified site: Hamel, MN

USA - Headquarters

Tolomatic Inc.
 3800 County Road 116
 Hamel, MN 55340, USA
Phone: (763) 478-8000
 Toll-Free: **1-800-328-2174**
sales@tolomatic.com
www.tolomatic.com

MEXICO

Centro de Servicio
 Parque Tecnológico Innovación
 Int. 23, Lateral Estatal 431,
 Santiago de Querétaro,
 El Marqués, México, C.P. 76246
Phone: +1 (763) 478-8000
help@tolomatic.com

EUROPE

Tolomatic Europe GmbH
 Elisabethenstr. 20
 65428 Rüsselsheim
 Germany
Phone: +49 6142 17604-0
help@tolomatic.eu
www.tolomatic.com/de-de

CHINA

Tolomatic Automation Products (Suzhou) Co. Ltd.
 No. 60 Chuangye Street, Building 2
 Huqiu District, SND Suzhou
 Jiangsu 215011 - P.R. China
Phone: +86 (512) 6750-8506
TolomaticChina@tolomatic.com

All brand and product names are trademarks or registered trademarks of their respective owners. Information in this document is believed accurate at time of printing. However, Tolomatic assumes no responsibility for its use or for any errors

that may appear in this document. Tolomatic reserves the right to change the design or operation of the equipment described herein and any associated motion products without notice. Information in this document is subject to change without notice.

Visit www.tolomatic.com for the most up-to-date technical information