

# SS2 STAINLESS STEEL ELECTRIC ACTUATOR WITH INTEGRATED MOTOR

# ERD-SS2

The all 300 series stainless-steel ERD for 10, 15 & 20 sizes incorporates hygienic design principles and includes a protective enclosure for Tolomatic stepper/servo motors. (10 size: stepper motor only)  
The SS2 has an IP69k rating (static). The SS2 is built-to-order in stroke lengths up to 0.6 m (24").

### MULTIPLE SCREW TECHNOLOGIES

#### YOU CAN CHOOSE:

- Solid nuts of bronze (15, 20 sizes) or engineered resins (10, 15 sizes) offer quiet performance at the lowest cost
- Ball nuts (10, 15, 20 sizes) offer efficiency at a cost effective price



### DURABLE IP69K SEALS

- Polyurethane for IP69k ingress protection and resistance to caustic wash-down
- Clean-in-place compatible

### MOTOR PROTECTION

Designed to protect motor with IP69k rating (static)

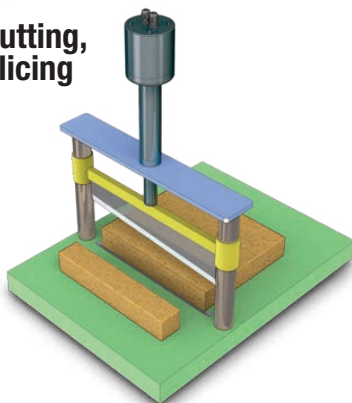
### SMOOTH EXTERIOR

This primary design decision eases cleanup and helps to prevent bacterial growth

### ALL 300 SERIES STAINLESS STEEL CONSTRUCTION

- 300 series stainless steel for corrosion resistance
- Simplifies and lowers cost of machine design by eliminating the need for protective guards around standard actuators

### Cutting, Slicing



### Available Options:

#### MOUNTING

- Foot Mounts
- Front Flange
- Trunnion (15 & 20 sizes)

#### ENVIRONMENTAL PROTECTION

- Food grade grease

#### SENSORS

- With mounting bracket

### Applications:

- Aligning
- Chopping
- Conveyors
- Cutting
- Diverting
- Dumping
- Filling
- Gating
- Medical equipment
- Open / close doors
- Open / close lids
- Packaging equipment
- Pick & place
- Plate positioning change
- Slicing
- Sorting
- Volumetric pumps & more!

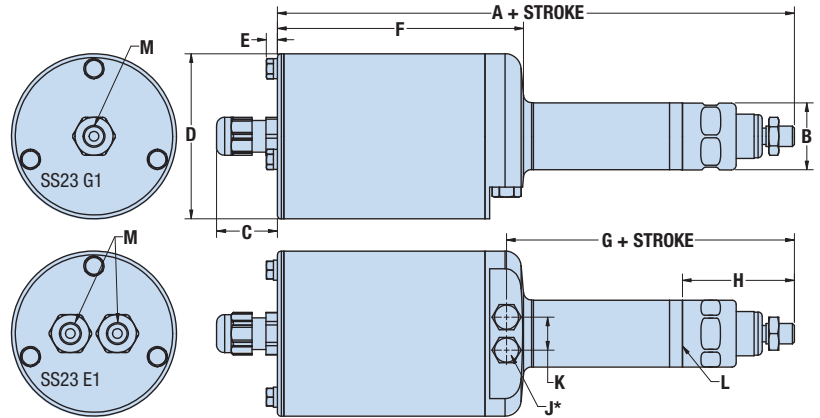
# SS2 STAINLESS STEEL ELECTRIC ACTUATOR WITH INTEGRATED MOTOR

## Specifications (metric measurement)

ERD SIZE	MAXIMUM STROKE	SCREW CODE	LEAD	LEAD ACCURACY	BACKLASH	MAXIMUM THRUST	DYNAMIC LOAD RATING
	mm		mm/rev	mm/300mm	mm	N	N
10	254.0	SNO1	25.4	0.18	0.18	188	NA
		SNO2	12.7	0.18	0.18	188	NA
		SNO5	5.08	0.18	0.18	188	NA
		BNM05	5.00	0.87	0.13	445	1068
15	304.8	SNO1	25.4	0.15	0.18	334	NA
		SNO2	12.7	0.13	0.18	334	NA
		SNO5	5.08	0.15	0.18	334	NA
	609.6	BNM05	5.00	0.87	0.13	890	2002
		BNM10	10.00	0.87	0.13	890	1779
		BZ10	2.54	0.15	0.20	890	NA
20	609.6	BNM05	5.00	0.87	0.13	2224	4003
		BNM10	10.00	0.87	0.13	2224	4003
		BNM20	20.00	0.87	0.10	2224	11387
		BZ10	2.54	0.15	0.20	2224	NA

# ERD-SS2

## Dimensions SIZE: 10, 15, 20



	ERD10	ERD15	ERD20
<b>A</b> mm	204.0	282.70	311.4
<b>B</b> mm	26.42	41.61	52.10
<b>C</b> mm	24.00	24.00	24.00
<b>D</b> mm	65.10	89.00	89.00
<b>E</b> mm	4.39	5.27	5.27
<b>F</b> mm	100.99	134.98	171.64
<b>G</b> mm	113.56	143.76	164.80
<b>H</b> mm	44.17	53.04	72.48
<b>J*</b> mm	M6 x 1.0	M6 x 1.0	M6 x 1.0
<b>K</b> mm	13.00	13.00	23.37
<b>L</b>	Surface for mounting options		



ACTUATOR  
SIZING

**COMPLETE INFORMATION,  
SIZING SOFTWARE AND SOLID  
MODELS AVAILABLE AT:**  
[www.tolomatic.com](http://www.tolomatic.com)



3D  
CAD  
LIBRARY

	Code	Encoder Code	Available cable exit options:
<b>M</b>	SS21	G1,E1	no cord grips 1/2" NPT tapped hole
	SS22	G1,E1	no cord grips M20 x 1.5 tapped hole
	SS23	G1	1 cord grip (motor, no encoder)
		E1	2 cord grips (motor, with encoder)

\*Unit ships standard with hex bolts in these tapped holes  
NOTE: IP67 is a static rating

# Tolomatic™

EXCELLENCE IN MOTION

COMPANY WITH  
QUALITY SYSTEM  
CERTIFIED BY DNV GL  
= ISO 9001 =  
Certified site: Hamel, MN

### USA - Headquarters

**Tolomatic Inc.**  
3800 County Road 116  
Hamel, MN 55340, USA  
**Phone:** (763) 478-8000  
Toll-Free: **1-800-328-2174**  
sales@tolomatic.com  
[www.tolomatic.com](http://www.tolomatic.com)

### MEXICO

**Centro de Servicio**  
Parque Tecnológico Innovación  
Int. 23, Lateral Estatal 431,  
Santiago de Querétaro,  
El Marqués, México, C.P. 76246  
**Phone:** +1 (763) 478-8000  
help@tolomatic.com

### EUROPE

**Tolomatic Europe GmbH**  
Elisabethenstr. 20  
65428 Rüsselsheim  
Germany  
**Phone:** +49 6142 17604-0  
help@tolomatic.eu

### CHINA

**Tolomatic Automation Products  
(Suzhou) Co. Ltd.**  
No. 60 Chuangye Street, Building 2  
Huqiu District, SND Suzhou  
Jiangsu 215011 - P.R. China  
**Phone:** +86 (512) 6750-8506  
TolomaticChina@tolomatic.com

All brand and product names are trademarks or registered trademarks of their respective owners. Information in this document is believed accurate at time of printing. However, Tolomatic assumes no responsibility for its use or for any errors

that may appear in this document. Tolomatic reserves the right to change the design or operation of the equipment described herein and any associated motion products without notice. Information in this document is subject to change without notice.

Visit [www.tolomatic.com](http://www.tolomatic.com) for the most up-to-date technical information