

ROD-STYLE ELECTRIC ACTUATOR RSA-HT

The HT option is a high thrust version of the 24, 32, 50 and 64 sizes of the RSA series. RSA HT actuators offer a roller screw option to meet even the most demanding applications

WHY CHOOSE THE HT OPTION?

- Higher strength components transfer more torque from the gearhead/motor to the actuator screw
- Grease zerk allows convenient re-lubrication for extended screw service life
- Allows convenient addition of gearbox to RP (Reverse Parallel mount) actuator
- Accommodates mounting large motors with up to 165mm bolt circle pattern

YOUR MOTOR HERE

YOU CAN CHOOSE:

Specify motor to be installed and actuator ships with proper mounting hardware

REDESIGNED LMI & RP HOUSING

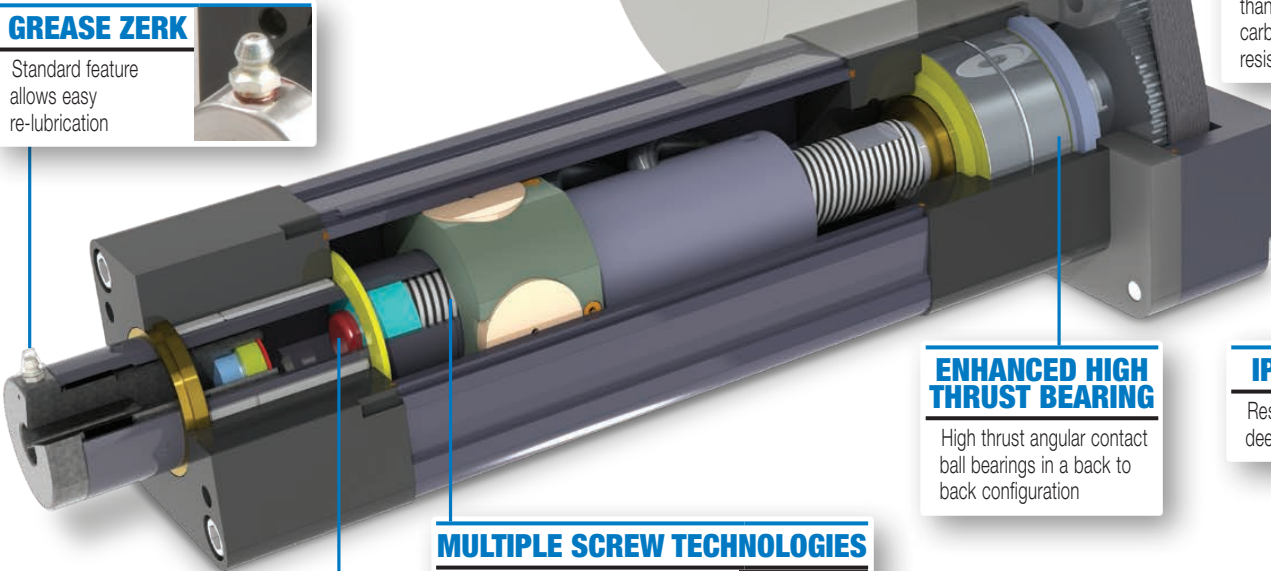
Specially designed to accommodate larger motors & gearboxes with higher torques and larger bolt circles (up to 6.5", 165mm)

DURABLE BELT MATERIAL

High torque polyurethane timing belt with carbon tensile cords resists stretching

GREASE ZERK

Standard feature allows easy re-lubrication



ENHANCED HIGH THRUST BEARING

High thrust angular contact ball bearings in a back to back configuration

IP67 OPTION

Resist water ingress 1m deep for up to 30 min

MULTIPLE SCREW TECHNOLOGIES

YOU CAN CHOOSE:

- Bronze nuts offer smooth performance at the lowest cost
- Ball screws offer efficiency at a cost effective price; low-backlash available
- Roller screws provide the highest thrust and life ratings available



HEAVY DUTY INTERNAL BUMPERS

Bumpers protect the screw and nut assembly from damage at both ends of stroke

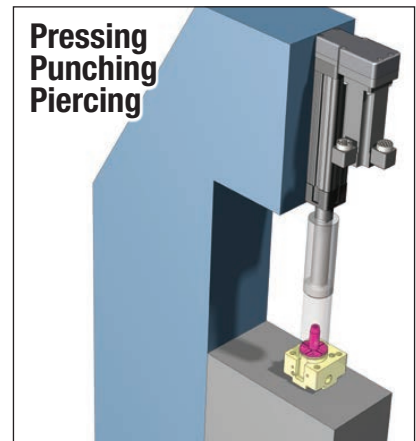
Applications:

- Aligning
- Animation
- Assembly
- Automotive
- Conveyors
- Diverting
- Fillers
- Gating
- Material handling systems
- Medical equipment
- Open / close doors
- Packaging equipment
- Pick & place
- Plate positioning change
- Press fit
- Robot manipulator arms
- Sonic welding
- Sorting
- Volumetric pumps
- Web guidance
- Wire winding & more!

Mounting Options:

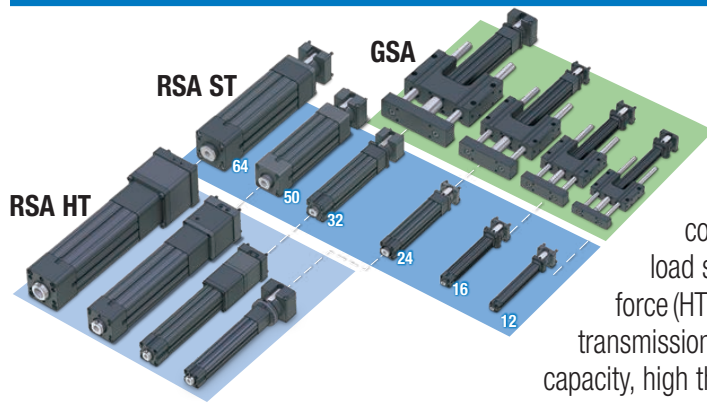
- MP2: 2 Mounting Plates
- FFG: Front Flange
- TRR: Trunnion Mount
- FM2: 2 Foot Mounts
- BFG: Rear Flange
- PCD: Rear Clevis Mount
- PCS: Rear Eye Mount

Pressing Punching Piercing



ROD-STYLE ELECTRIC SCREW-DRIVE ACTUATOR

RSA-HT



The RSA series of electric screw driven rod-style actuators are offered in 3 versions. The standard (ST) model comes in six sizes. The guided RSA (GSA) adds guidance and load support to the design and is available in 4-sizes. The high force (HT) model is available in 4-sizes, it incorporates torque transmission components (couplers, pulleys, belts) with higher torque capacity, high thrust bearings as well as a planetary roller screw option.

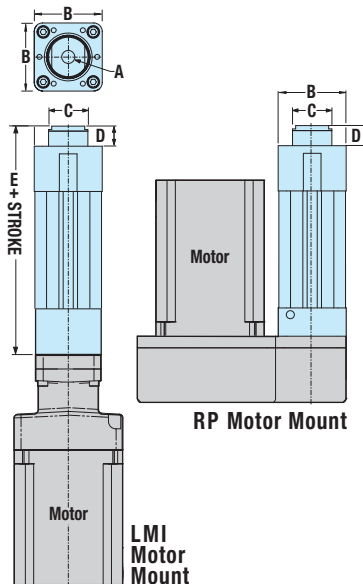
Specifications

Size	24	32	50	64
Max. Thrust (kN)	7.56	18.50	35.0	58.0
Max. Stroke (mm)	457	914	1219	1524

Size	24	32	50	64
Max. Thrust (lbf)	1700	4159	7868	13039
Max. Stroke (in)	24	36	48	60

NOTE: For higher forces refer to the RSX product line.

Dimensions



SIZE: 24, 32, 50, 64

Size	24	32	50	64
A	M10x1.25 ±25.0	M16x1.5 ±26.0	M20x1.5 ±38.0	M27x2.0 ±38.0
B	51.8	65.5	94.2	116.3
C Ø	30.0	31.8	44.5	57.2
D	10.9	12.7	17.8	17.3
SOLID E	97.5	128.3	213.6	235.9
BALL E	109.2	158.2	189.0	298.2
ROLLER E	132.3	145.7	213.6	235.9

Dimensions in millimeters

Size	24	32	50	64
A	7/16-20 ±1.00	7/16-20 ±1.13	3/4-16 ±1.50	1-1/4-16 ±2.50
B	2.04	2.58	3.71	4.58
C Ø	1.18	1.25	1.75	2.25
D	0.43	0.50	0.70	0.68
SOLID E	3.84	5.05	6.44	9.29
BALL E	4.30	6.23	7.44	11.7
ROLLER E	5.21	5.74	8.41	9.29

Dimensions in inches

NOTE: YMH (Your Motor Here) will determine motor size, motor mount size and reverse parallel housing size. Complete dimensions available in RSA/GSA brochure #3600-4166; Always use solid models available at www.tolomatic.com for critical dimensions

3D
CAD
LIBRARY

ACTUATOR
SIZING

**COMPLETE INFORMATION,
SIZING SOFTWARE AND SOLID
MODELS AVAILABLE AT:**
www.tolomatic.com

STANDARD FEATURES
See RSA-ST Flyer (3600-4198)
for more RSA standard features

Tolomatic™

EXCELLENCE IN MOTION

COMPANY WITH
QUALITY SYSTEM
CERTIFIED BY DNV GL
= ISO 9001 =
Certified site: Hamel, MN

USA - Headquarters

Tolomatic Inc.
3800 County Road 116
Hamel, MN 55340, USA
Phone: (763) 478-8000
Toll-Free: **1-800-328-2174**
sales@tolomatic.com
www.tolomatic.com

MEXICO

Centro de Servicio
Parque Tecnológico Innovación
Int. 23, Lateral Estatal 431,
Santiago de Querétaro,
El Marqués, México, C.P. 76246
Phone: +1 (763) 478-8000
help@tolomatic.com

EUROPE

Tolomatic Europe GmbH
Elisabethenstr. 20
65428 Rüsselsheim
Germany
Phone: +49 6142 17604-0
help@tolomatic.eu

CHINA

**Tolomatic Automation Products
(Suzhou) Co. Ltd.**
No. 60 Chuangye Street, Building 2
Huqiu District, SND Suzhou
Jiangsu 215011 - P.R. China
Phone: +86 (512) 6750-8506
TolomaticChina@tolomatic.com

All brand and product names are trademarks or registered trademarks of their respective owners. Information in this document is believed accurate at time of printing. However, Tolomatic assumes no responsibility for its use or for any errors

that may appear in this document. Tolomatic reserves the right to change the design or operation of the equipment described herein and any associated motion products without notice. Information in this document is subject to change without notice.

Visit www.tolomatic.com for the most up-to-date technical information